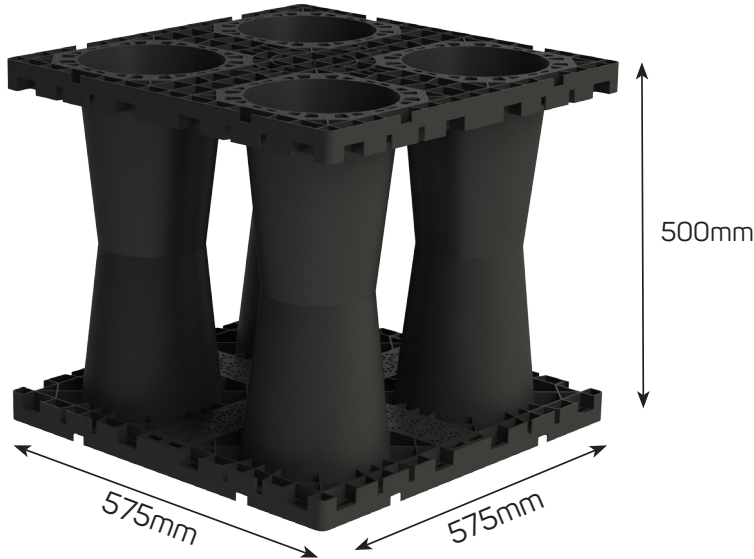
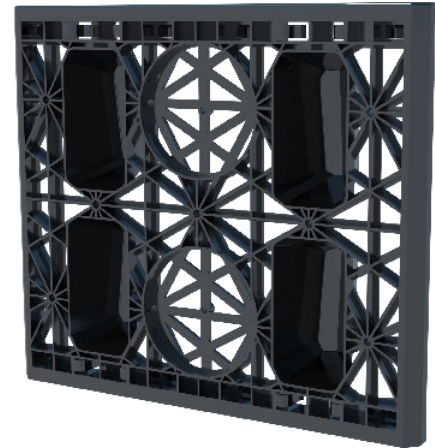


# PRODUCT SPECIFICATION

## FLO-VAULT<sup>®</sup> MODULE RECYCLED POLYPROPYLENE BLEND



FLO-VAULT<sup>®</sup> MODULE (P/N 70081)



SIDE PLATE (P/N 70072)

Part Number	FLO-VAULT 70081   SIDE PLATE 70072   CLIP SINGLE 70073   CLIP DOUBLE 70074
Part Size	(H) 500mm (W) 575mm (L) 575mm   (H) 22.63" (W) 22.64" (L) 22.64"
Ultimate Strength	38 tonnes/SQM (54.9psi) *Ultimate strength till failure (not yield)
Gross Volume	0.165 m <sup>3</sup> (5.838 ft <sup>3</sup> )
Storage Capacity	157.05 litres (41.49 US Gallons)
Modules per Volume	6.06 modules per m <sup>3</sup> (0.17 modules per cubic ft)
Pieces Per Square Metre	3
Void Ratio	95%
Material	85% Recycled Polypropylene 15% Propriety Selected Materials
Colour	Black
Chemical & Biological Resistance	Unaffected by molds, algae, soil-bourne chemicals, bacteria and bitumen.
Service Temperature	-10 <sup>o</sup> C - 70 <sup>o</sup> C ( 14 F <sup>o</sup> - 158 F <sup>o</sup> )
Approximate Material Lifespan	100 years + with no ultra violet exposure

**Note:** Atlantis<sup>®</sup> product specifications are updated on a regular basis. Please contact Atlantis<sup>®</sup> technical department for the latest data sheet available